



All the products. All the data. All on your PC.

Halton
CARE FOR INDOOR AIR





Dear Customer,

The new Halton HIT Design software is out now - please find it attached on a CD. With the new features we have added you can progress quickly from product selection to the operating product and match the performance perfectly to the requirements of the space of your choice. So, take Halton's HIT Design into use and make your work easier.

We recommend that you familiarise yourself with the features of Halton HIT Design by reading this booklet, which explains the basics of the software in more detail. Once you know what HIT Design can do for you, simply install the program. The program is also available on our website www.halton.com.

**Best regards,
The Halton HIT Design team**

Make your work easier with Halton's new HIT Design software

All the products. All the data. All on your PC.

1. Full product information, which is always up to date.
2. Product selection with visualisation.
3. Visualisation of product performance.
4. Simulation of a product or products in space.
5. Export of product models into design software.
6. Streamlined project management.

Just how easy can designing be?



1.

You can display product description, operation and functions, as well as getting installation, adjustment and maintenance instructions.



2.

Easy product selection with 3D visualisation of their appearance from different angles.



3.

You can also view product operation, with displays of cooling/heating data, throw pattern and air velocity, for example.



4.

You can change products' positions within the space you specify, and simulate and optimise their combined effect.



5.

You can download CAD objects in 2D or 3D format.



6.

You can save all product information and design values for later use.



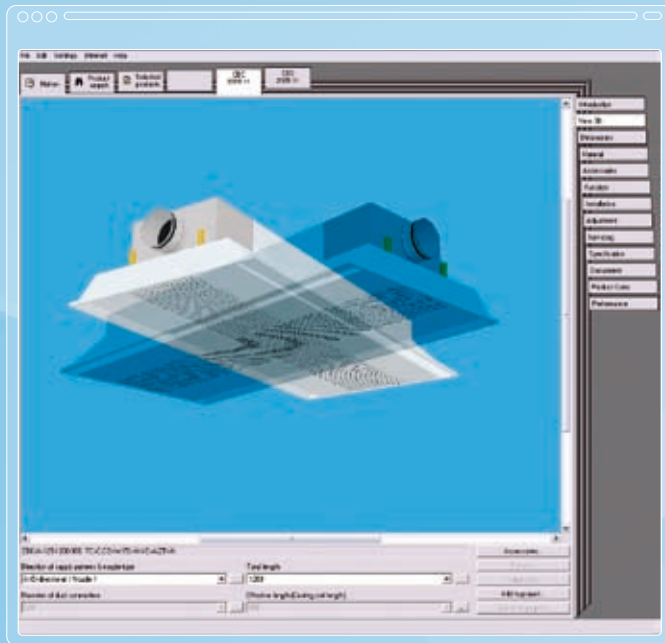
Select the products you need

With Halton HIT Design you have access to up to date product descriptions and technical information about all of Halton's products, for land, sea and offshore locations. This makes choosing the products that are best for your applications easy, whether you are designing for hotels, offices, kitchens, hospitals, cruise ships or oilrigs.

It is easy to compile information

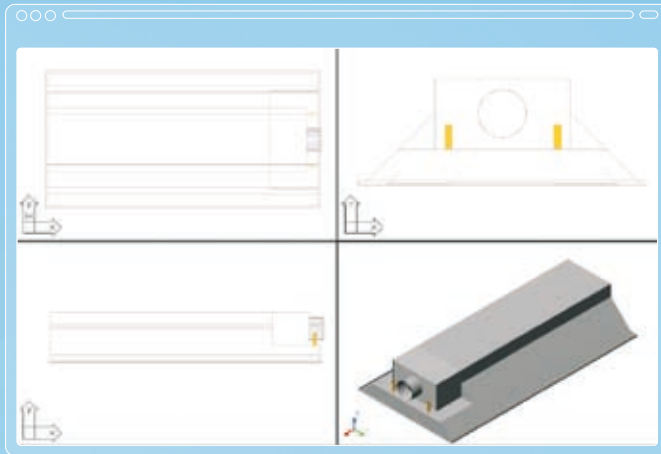
Specific product information must often be provided with design documents, property transfer/release documents, and other similar project documentation. With HIT Design compiling this information in a brochure is easy. By choosing the File -> Build product data sheet, you can easily tailor brochure contents to be the way you want them.

The compiled brochure can be printed or saved and you can also copy and paste this information and attach it to other documents.



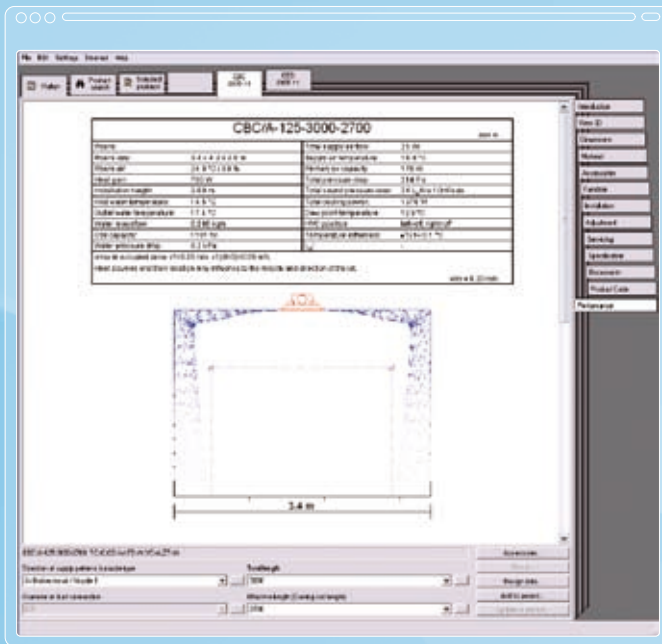
Design product appearance, operation and function

It is easy to define selected products to be the way you want them in the configuration window. You can, for example, define the model, size, properties and accessories, as well as related products (e.g. plenum boxes to diffusers and grilles).



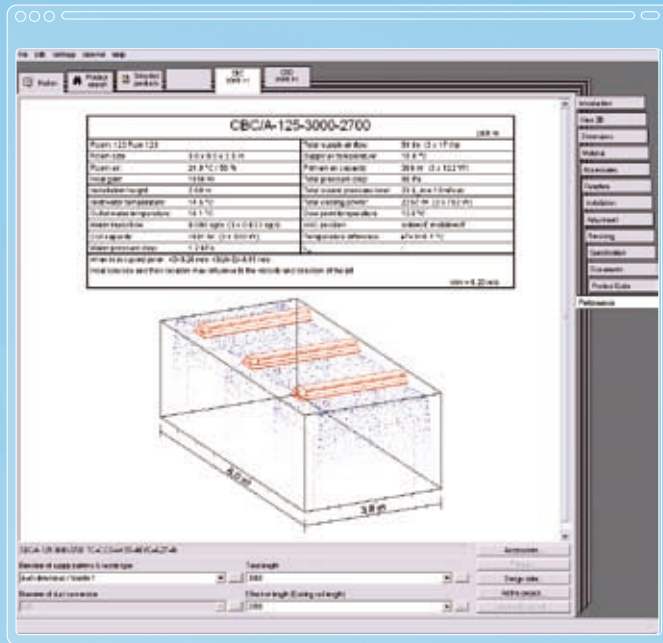
3D display, with export of CAD models

To support the design process, there is a 3D display that can be configured to your needs and lets you view models from different directions. In addition, you can save a product's CAD object to your computer in either 2D or 3D format, by right-clicking the product image.



Product performance

Once you have defined the product, Halton HIT Design can also display the cooling/heating data, pressure drop, sound level, throw pattern and air velocity of the product, as well as 2D or 3D views describing its performance.



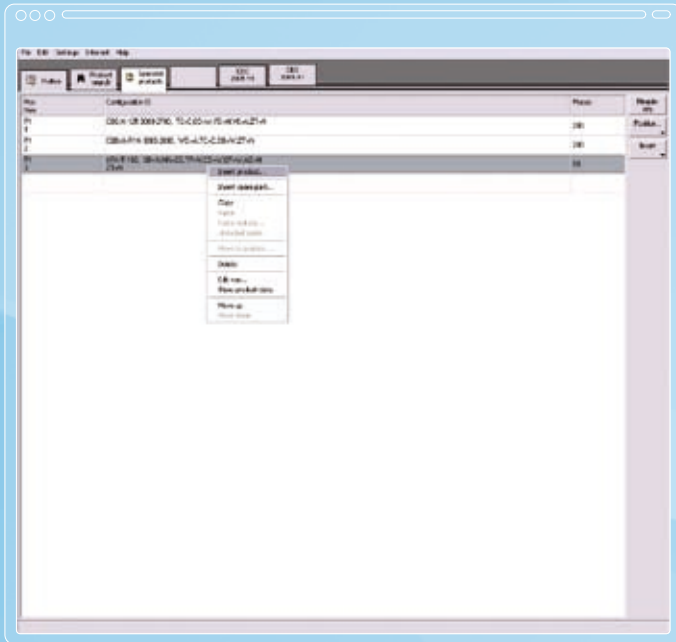
Simulate and optimise product performance in the intended space

The Halton HIT Design software lets you simulate the product's operation in the kind of space you specify. By clicking the **Design data** button you open a window in which you can define room dimensions, the occupied zone, and the design climate (summer or winter). In addition you can define the heating or cooling requirements.

Halton HIT Design saves product data and the design values of products making it easy to compare the benefits of different alternatives.

In addition to room properties you can influence the product's positioning in the space. Multiple products can be positioned in the same space and you can simulate and view their interaction.

In order to get the best overall result you can take things such as air flow, air flow temperature, inlet water temperature (chilled beams) and water mass flow (chilled beams) into account in the calculations.



Streamlined project management

With Halton HIT Design the project's product information and the design values of the products can be saved for use at a later date. Once a product has been configured and dimensioned, you simply click the **Add to project** button.

The products and dimensioning models on the project list can be opened for review in the **Selected products** display by right-clicking and choosing **Show product data**.

You can also add products to the project from the **Selected products** display by right-clicking and choosing **Insert product**.

Unit systems

Symbol	Quantity	SI	Euro	EuroSpecial	Nordic	US
ΔL	Attenuation	dB	dB	dB	dB	dB
Δp	Pressure difference	Pa	Pa	Pa	Pa	inch WC
T	Temperature	°C	°C	°C	°C	°F
ΔT	Temperature difference	°C	°C	°C	°C	°F
f	Frequency	Hz	Hz	Hz	Hz	Hz
L,W,H	Main dimension of the unit	mm	mm	mm	mm	inch
Lp	Sound pressure level	dB	dB	dB	dB	dB
Lw	Sound power level	dB	dB	dB	dB	dB
NR/NC	NR/NC-criteria	1	1	1	1	1
P	Capacity, heating/cooling	W	W	W	W	Btu/h
qm	Water mass flow rate	kg/s	kg/s	kg/s	kg/s	lb/min
qv	Airflow rate	dm ³ /s	m ³ /h	m ³ /h	l/s	cfm
v	Velocity	m/s	m/s	m/s	m/s	fpm
dLr	Room attenuation	4 dB	8 dB	4 dB	4 dB	10 dB

Localise your HIT Design

Languages

Halton HIT Design is available in many languages, making it easy to provide product documentation to all participants in global projects. To choose the language, select: **Settings -> Language**

Unit systems

In addition to local language versions, you can adapt Halton HIT Design to your local market preferences by choosing appropriate system of units. The units have been selected according to normal practice in the HEVAC industry. To choose the unit system, select: **Settings -> Unit system**

HIT Design reference cases

With its comprehensive selection of data and tools HIT Design makes the design process more efficient, and helps ensure that different indoor air systems in different applications always provide a fully functional indoor climate. Whatever your application, HIT Design will prove invaluable. Here are some projects implemented with Halton indoor climate solutions.



Scandic Crown Plaza Hotel,
Finland



University College
London Hospital, UK

HIT Design reference cases

Marriot International,
West India Quay, UK



Photo courtesy of Oyvind Hagen/Statoil

Statfjord A

Banque Populaire d'Atlantique,
France



Photo courtesy of Princess Cruises

Sapphire Princess,
Princess Cruises

www.halton.com

All the products. All the data. All on your PC.

Halton
CARE FOR INDOOR AIR